

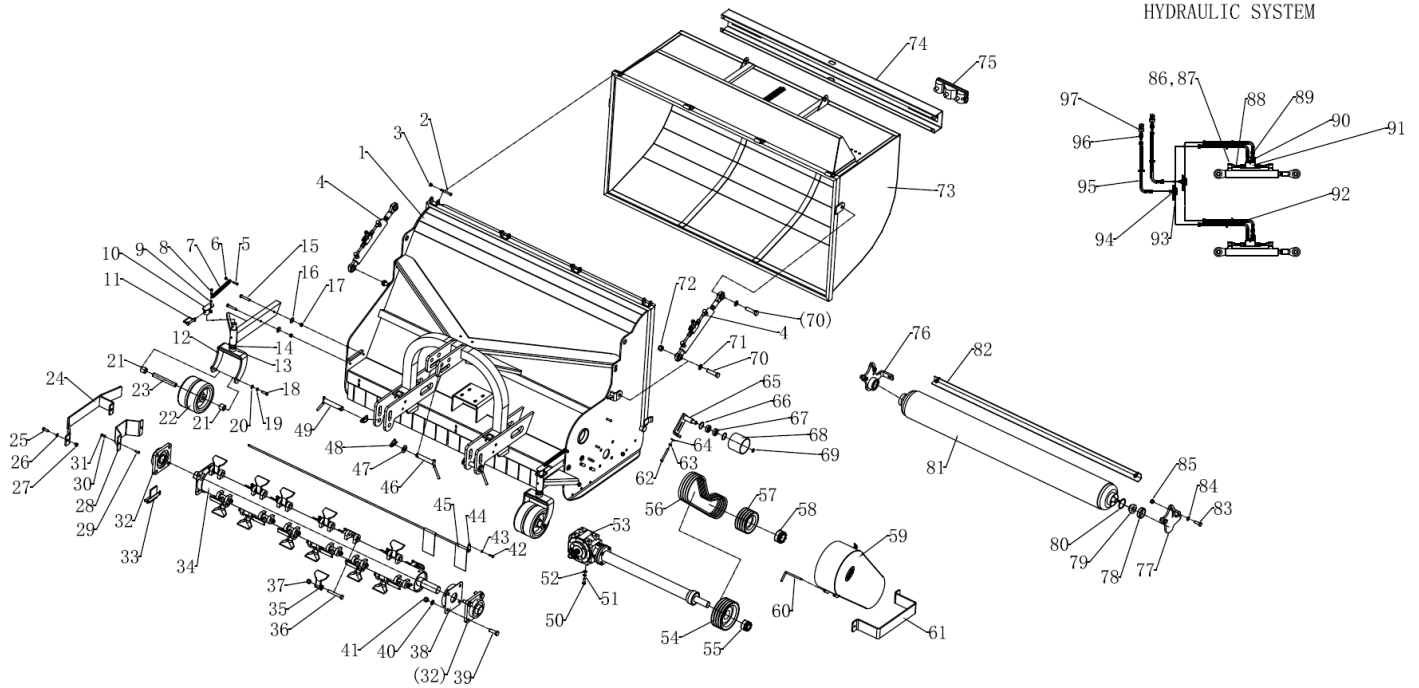
FOTO:



Macchina/Machine
FLP180

Macchina: FLP180

FLP180_part1



SerNo	PartNo	Description	Quantity	Price
1	FLP180.011	Body Weldment	1	
1	FLP180.011	Body Weldment	1	

1	FLP180.011	Body Weldment	1	
2	GB5782-M10x80	Bolt M10x80	4	
2	GB5782-M10x80	Bolt M10x80	4	
2	GB5782-M10x80	Bolt M10x80	4	
3	GB889.1-M10	Lock Nut M10	4	
3	GB889.1-M10	Lock Nut M10	4	€ 0,00
3	GB889.1-M10	Lock Nut M10	4	
4	FLP180.060	Cylinder	2	
4	FLP180.060	Cylinder	2	
4	FLP180.060	Cylinder	2	
5	GB5783-M8x35	Bolt M8x35	2	
5	GB5783-M8x35	Bolt M8x35	2	
5	GB5783-M8x35	Bolt M8x35	2	
6	GB889.1-M8	Lock Nut M8	4	
6	GB889.1-M8	Lock Nut M8	4	
6	GB889.1-M8	Lock Nut M8	4	
7	FLP180.105	Spring	2	
7	FLP180.105	Spring	2	
7	FLP180.105	Spring	2	
8	GB5783-M8x30	Bolt M8x30	2	
8	GB5783-M8x30	Bolt M8x30	2	
8	GB5783-M8x30	Bolt M8x30	2	
9	GB6170-M8	Nut M8	2	
9	GB6170-M8	Nut M8	2	
9	GB6170-M8	Nut M8	2	
10	FLP180.015	Connection Weldment	2	
10	FLP180.015	Connection Weldment	2	
10	FLP180.015	Connection Weldment	2	
11	D-PIN-12x75	D Shape Lock Pin 12x75	2	
11	D-PIN-12x75	D Shape Lock Pin 12x75	2	
11	D-PIN-12x75	D Shape Lock Pin 12x75	2	
12	FLP180.016/017	Wheel Frame	2	
12	FLP180.016/017	Wheel Frame	2	
12	FLP180.016/017	Wheel Frame	2	
13	FLP180.103	Long Sleeve	2	
13	FLP180.103	Long Sleeve	2	
13	FLP180.103	Long Sleeve	2	
14	FLP180.104	Short Sleeve	6	
14	FLP180.104	Short Sleeve	6	
14	FLP180.104	Short Sleeve	6	
15	GB5782-M12x70	Bolt M12x70	4	
15	GB5782-M12x70	Bolt M12x70	4	
15	GB5782-M12x70	Bolt M12x70	4	
16	GB96-12	Washer 12	4	
16	GB96-12	Washer 12	4	
16	GB96-12	Washer 12	4	

17	GB889.1-M12	Lock Nut M12	4	
17	GB889.1-M12	Lock Nut M12	4	
17	GB889.1-M12	Lock Nut M12	4	
18	GB5783-12x35	Bolt M12x35	4	
18	GB5783-12x35	Bolt M12x35	4	
18	GB5783-12x35	Bolt M12x35	4	
19	GB93-12	Spring Washer 12	4	
19	GB93-12	Spring Washer 12	4	
19	GB93-12	Spring Washer 12	4	
20	GB97.1-12	Washer 12	4	
20	GB97.1-12	Washer 12	4	
20	GB97.1-12	Washer 12	4	
21	FLP180.106	Bush	4	
21	FLP180.106	Bush	4	
21	FLP180.106	Bush	4	
22	FM150.030	Tire	4	
22	FM150.030	Tire	4	
22	FM150.030	Tire	4	
23	FLP180.107	Shaft inside Tire	2	
23	FLP180.107	Shaft inside Tire	2	
23	FLP180.107	Shaft inside Tire	2	
24	FLP180.021	Right Belt Cover Protector	1	
24	FLP180.021	Right Belt Cover Protector	1	
24	FLP180.021	Right Belt Cover Protector	1	
25	GB5783-12x35	Bolt M12x35	4	
25	GB5783-12x35	Bolt M12x35	4	
25	GB5783-12x35	Bolt M12x35	4	
26	GB97.1-12	Washer 12	4	
26	GB97.1-12	Washer 12	4	
26	GB97.1-12	Washer 12	4	
27	GB889.1-M12	Lock Nut M12	4	
27	GB889.1-M12	Lock Nut M12	4	
27	GB889.1-M12	Lock Nut M12	4	
28	FLP180.110	Cover Plate	1	
28	FLP180.110	Cover Plate	1	
28	FLP180.110	Cover Plate	1	
29	GB5783-M8x25	Bolt M8x25	2	
29	GB5783-M8x25	Bolt M8x25	2	
29	GB5783-M8x25	Bolt M8x25	2	
30	GB97.1-8	Washer 8	2	
30	GB97.1-8	Washer 8	2	
30	GB97.1-8	Washer 8	2	
31	GB889.1-M8	Lock Nut M8	2	
31	GB889.1-M8	Lock Nut M8	2	
31	GB889.1-M8	Lock Nut M8	2	
32	F90310	Bearing 90310	2	

32	F90310	Bearing 90310	2	
32	F90310	Bearing 90310	2	
33	FLP180.026	Cover Weldment	1	
33	FLP180.026	Cover Weldment	1	
33	FLP180.026	Cover Weldment	1	
34	FLP180.025	Blade Axle	1	
34	FLP180.025	Blade Axle	1	
34	FLP180.025	Blade Axle	1	
35	FLP180.113	Hammer	24	
35	FLP180.113	Hammer	24	
35	FLP180.113	Hammer	24	
36	GB5782-M16x110	Bolt M16x110	24	
36	GB5782-M16x110	Bolt M16x110	24	
36	GB5782-M16x110	Bolt M16x110	24	
37	GB889.1-M16	Lock Nut M16	24	
37	GB889.1-M16	Lock Nut M16	24	
37	GB889.1-M16	Lock Nut M16	24	
38	FLP180.024	Circlip Weldment	2	
38	FLP180.024	Circlip Weldment	2	
38	FLP180.024	Circlip Weldment	2	
39	GB5783-M18x55	Bolt M18x55	8	
39	GB5783-M18x55	Bolt M18x55	8	
39	GB5783-M18x55	Bolt M18x55	8	
40	GB97.1-18	Washer 18	8	
40	GB97.1-18	Washer 18	8	
40	GB97.1-18	Washer 18	8	
41	GB889.1-M18	Lock Nut M18	8	
41	GB889.1-M18	Lock Nut M18	8	
41	GB889.1-M18	Lock Nut M18	8	
42	GB5783-M8x25	Bolt M8x25	1	
42	GB5783-M8x25	Bolt M8x25	1	
42	GB5783-M8x25	Bolt M8x25	1	
43	GB97.1-8	Washer 8	1	
43	GB97.1-8	Washer 8	1	
43	GB97.1-8	Washer 8	1	
44	FLP180.013	Circlip Weldment	1	
44	FLP180.013	Circlip Weldment	1	
44	FLP180.013	Circlip Weldment	1	
45	AG140.113	Fender	19	
45	AG140.113	Fender	19	
45	AG140.113	Fender	19	
46	FLP180.019	Uppder Hanging Weldment	1	
46	FLP180.019	Uppder Hanging Weldment	1	
46	FLP180.019	Uppder Hanging Weldment	1	
47	FLP180.109	Washer	2	
47	FLP180.109	Washer	2	

47	FLP180.109	Washer	2	
48	LPIN 12	Lock Pin 12	3	
48	LPIN 12	Lock Pin 12	3	
48	LPIN 12	Lock Pin 12	3	
49	FLP180.018	Lower Hanging Weldment	2	
49	FLP180.018	Lower Hanging Weldment	2	
49	FLP180.018	Lower Hanging Weldment	2	
50	GB5783-12x35	Bolt M12x35	4	
50	GB5783-12x35	Bolt M12x35	4	
50	GB5783-12x35	Bolt M12x35	4	
51	GB93-12	Spring Washer 12	4	
51	GB93-12	Spring Washer 12	4	
51	GB93-12	Spring Washer 12	4	
52	GB97.1-12	Washer 12	4	
52	GB97.1-12	Washer 12	4	
52	GB97.1-12	Washer 12	4	
53	FLP180.004	Gearbox	1	
53	FLP180.004	Gearbox	1	
53	FLP180.004	Gearbox	1	
54	FLP180.111	Big Pulley	1	
54	FLP180.111	Big Pulley	1	
54	FLP180.111	Big Pulley	1	
55	REACH 04-4065	Swelable Sleeve 4065	1	
55	REACH 04-4065	Swelable Sleeve 4065	1	
55	REACH 04-4065	Swelable Sleeve 4065	1	
56	GB11544	V Belt SPB1397	4	
56	GB11544	V Belt SPB1397	4	
56	GB11544	V Belt SPB1397	4	
57	FLP180.112	Small Pulley	1	
57	FLP180.112	Small Pulley	1	
57	FLP180.112	Small Pulley	1	
58	REACH 04-5080	Swelable Sleeve 5080	1	
58	REACH 04-5080	Swelable Sleeve 5080	1	
58	REACH 04-5080	Swelable Sleeve 5080	1	
59	FLP180.020	Belt Cover Weldment	1	
59	FLP180.020	Belt Cover Weldment	1	
59	FLP180.020	Belt Cover Weldment	1	
60	FLP180.102	Pin	1	
60	FLP180.102	Pin	1	
60	FLP180.102	Pin	1	
61	FLP180.116	Left Belt Cover Protector	1	
61	FLP180.116	Left Belt Cover Protector	1	
61	FLP180.116	Left Belt Cover Protector	1	
62	GB5783-M10x90	Bolt M10x90	1	
62	GB5783-M10x90	Bolt M10x90	1	
62	GB5783-M10x90	Bolt M10x90	1	

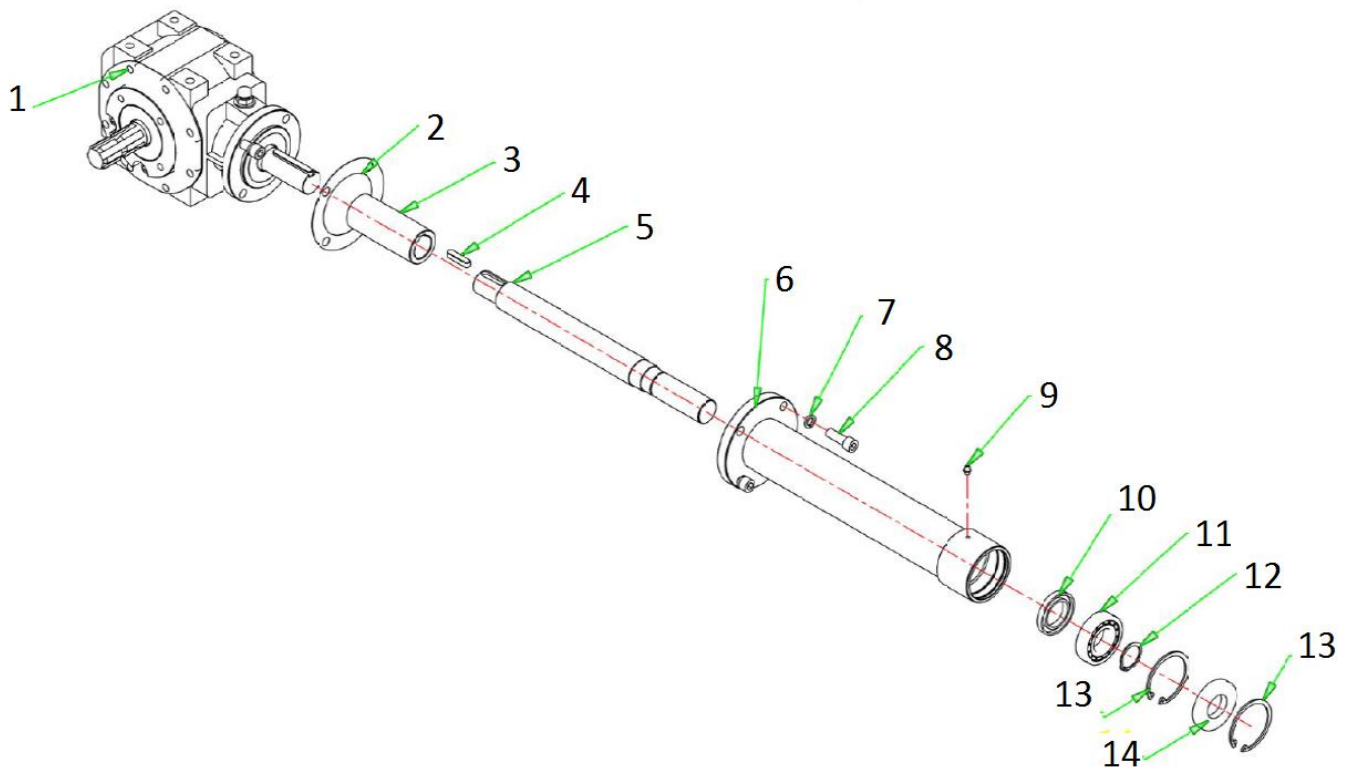
63	GB96-10	Washer 10	1	
63	GB96-10	Washer 10	1	
63	GB96-10	Washer 10	1	
64	GB6170-10	Nut M10	1	
64	GB6170-10	Nut M10	1	
64	GB6170-10	Nut M10	1	
65	FLP180.023	Belt Tension Seat Weldment	1	
65	FLP180.023	Belt Tension Seat Weldment	1	
65	FLP180.023	Belt Tension Seat Weldment	1	
66	GB893.1-47	Circlip 47	2	
66	GB893.1-47	Circlip 47	2	
66	GB893.1-47	Circlip 47	2	
67	GB276-204	Bearing 204	2	
67	GB276-204	Bearing 204	2	
67	GB276-204	Bearing 204	2	
68	FLP180.023	Belt Tension Seat Weldment	1	
68	FLP180.023	Belt Tension Seat Weldment	1	
68	FLP180.023	Belt Tension Seat Weldment	1	
69	GB894.1-20	Circlip 20	1	
69	GB894.1-20	Circlip 20	1	
69	GB894.1-20	Circlip 20	1	
70	GB5782-M20x80	Bolt M20x80	4	
70	GB5782-M20x80	Bolt M20x80	4	
70	GB5782-M20x80	Bolt M20x80	4	
71	GB97.1-20	Washer 20	4	
71	GB97.1-20	Washer 20	4	
71	GB97.1-20	Washer 20	4	
72	GB889.1-M20	Lock Nut M20	4	
72	GB889.1-M20	Lock Nut M20	4	
72	GB889.1-M20	Lock Nut M20	4	
73	FLP180.012	Grass Collector Weldment	1	
73	FLP180.012	Grass Collector Weldment	1	
73	FLP180.012	Grass Collector Weldment	1	
74	FLP180.117	Rear Light Seat	1	
74	FLP180.117	Rear Light Seat	1	
74	FLP180.117	Rear Light Seat	1	
75	TL-401	Rear Light	2	
75	TL-401	Rear Light	2	
75	TL-401	Rear Light	2	
76	FLP180.027	Left Tire Weldment	1	
76	FLP180.027	Left Tire Weldment	1	
76	FLP180.027	Left Tire Weldment	1	
77	FLP180.028	Right Tire Weldment	1	
77	FLP180.028	Right Tire Weldment	1	
77	FLP180.028	Right Tire Weldment	1	
78	FLP180.115	Bearing Seat	2	

78	FLP180.115	Bearing Seat	2	
78	FLP180.115	Bearing Seat	2	
79	GB3882-90206	Bearing 90206	2	
79	GB3882-90206	Bearing 90206	2	
79	GB3882-90206	Bearing 90206	2	
80	GB894.1-70	Circlip 70	2	
80	GB894.1-70	Circlip 70	2	
80	GB894.1-70	Circlip 70	2	
81	FLP180.029	Roller	1	
81	FLP180.029	Roller	1	
81	FLP180.029	Roller	1	
82	FLP180.114	Mud Shield	1	
82	FLP180.114	Mud Shield	1	
82	FLP180.114	Mud Shield	1	
83	GB5783-M14x40	Bolt M14x40	4	
83	GB5783-M14x40	Bolt M14x40	4	
83	GB5783-M14x40	Bolt M14x40	4	
84	GB97.1-14	Washer 14	4	
84	GB97.1-14	Washer 14	4	
84	GB97.1-14	Washer 14	4	
85	GB889.1-M14	Lock Nut M14	4	
85	GB889.1-M14	Lock Nut M14	4	
85	GB889.1-M14	Lock Nut M14	4	
86	GB3451-M16x30	Hydraulic Bolt M16x1.5x30	4	
86	GB3451-M16x30	Hydraulic Bolt M16x1.5x30	4	
86	GB3451-M16x30	Hydraulic Bolt M16x1.5x30	4	
87	GB3451-16	Copper Washer 16	12	
87	GB3451-16	Copper Washer 16	12	
87	GB3451-16	Copper Washer 16	12	
88	FLP180.061	Hydraulic Hoses	4	
88	FLP180.061	Hydraulic Hoses	4	
88	FLP180.061	Hydraulic Hoses	4	
89	FLP180.601	Short Adapter	2	
89	FLP180.601	Short Adapter	2	
89	FLP180.601	Short Adapter	2	
90	FLP180.602	Long Adapter	2	
90	FLP180.602	Long Adapter	2	
90	FLP180.602	Long Adapter	2	
91	FLP180.005	Hydraulic Valve	2	
91	FLP180.005	Hydraulic Valve	2	
91	FLP180.005	Hydraulic Valve	2	
92	FLP180.062	Wrap Pipe 1	4	
92	FLP180.062	Wrap Pipe 1	4	
92	FLP180.062	Wrap Pipe 1	4	
93	FLP180.603	Tee Joint	2	
93	FLP180.603	Tee Joint	2	

93	FLP180.603	Tee Joint	2	
94	GB6173-M14x1.5	Jam Nut M14x1.5	2	
94	GB6173-M14x1.5	Jam Nut M14x1.5	2	
94	GB6173-M14x1.5	Jam Nut M14x1.5	2	
95	FLP180.063	Wrap Pipe 2	2	
95	FLP180.063	Wrap Pipe 2	2	
95	FLP180.063	Wrap Pipe 2	2	
96	BV160.00.114	Adapter	2	
96	BV160.00.114	Adapter	2	
96	BV160.00.114	Adapter	2	
97	QC-R1/2-M	Adapter R1/2 - M	2	
97	QC-R1/2-M	Adapter R1/2 - M	2	
97	QC-R1/2-M	Adapter R1/2 - M	2	

Macchina: FLP180

FLP180_part2



SerNo	PartNo	Description	Quantity	Price
1	XH50.300Z.02	Gearbox Assy.	1	
1	XH50.300Z.02	Gearbox Assy.	1	
1	XH50.300Z.02	Gearbox Assy.	1	
2	EFGC125.166	Paper Washer	1	

2	EFGC125.166	Paper Washer	1	
2	EFGC125.166	Paper Washer	1	
3	EFGC125.167	Sleeve	1	
3	EFGC125.167	Sleeve	1	
3	EFGC125.167	Sleeve	1	
4	GB1096-A10x40	Key A10x40	1	
4	GB1096-A10x40	Key A10x40	1	
4	GB1096-A10x40	Key A10x40	1	
5	FLP180.401	Axle	1	
5	FLP180.401	Axle	1	
5	FLP180.401	Axle	1	
6	FLP180.041	Axle Tube Weldment	1	
6	FLP180.041	Axle Tube Weldment	1	
6	FLP180.041	Axle Tube Weldment	1	
7	GB93-12	Spring Washer 12	4	
7	GB93-12	Spring Washer 12	4	
7	GB93-12	Spring Washer 12	4	
8	GB70-M12x35	Bolt M12x35	4	
8	GB70-M12x35	Bolt M12x35	4	
8	GB70-M12x35	Bolt M12x35	4	
9	GB1152-M6	Grease Nipple M16	1	
9	GB1152-M6	Grease Nipple M16	1	
9	GB1152-M6	Grease Nipple M16	1	
10	GB13871-45x70x8	Oil Seal FB45x70x8	1	
10	GB13871-45x70x8	Oil Seal FB45x70x8	1	
10	GB13871-45x70x8	Oil Seal FB45x70x8	1	
11	GB276-6208	Bearing 6208	1	
11	GB276-6208	Bearing 6208	1	
11	GB276-6208	Bearing 6208	1	
12	GB894.1-40	Axle Circlip 40	1	
12	GB894.1-40	Axle Circlip 40	1	
12	GB894.1-40	Axle Circlip 40	1	
13	GB893.1-80	Hole Circlip 80	2	
13	GB893.1-80	Hole Circlip 80	2	
13	GB893.1-80	Hole Circlip 80	2	
14	GB13871-40x80x10	Oil Seal FB40x80x10	1	
14	GB13871-40x80x10	Oil Seal FB40x80x10	1	
14	GB13871-40x80x10	Oil Seal FB40x80x10	1	