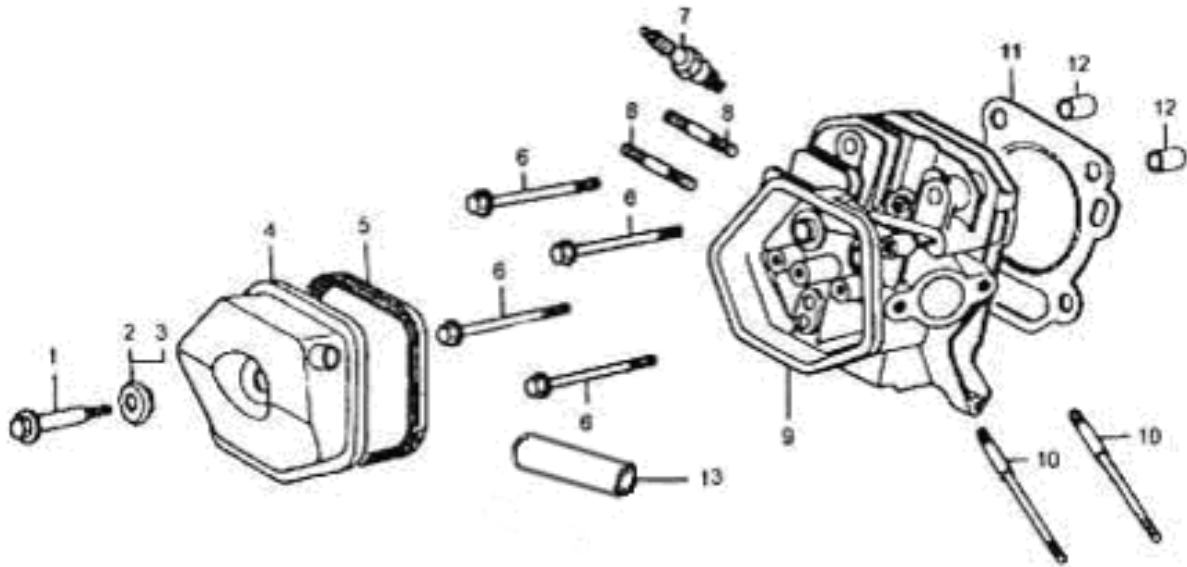


Cylinder head system assy.

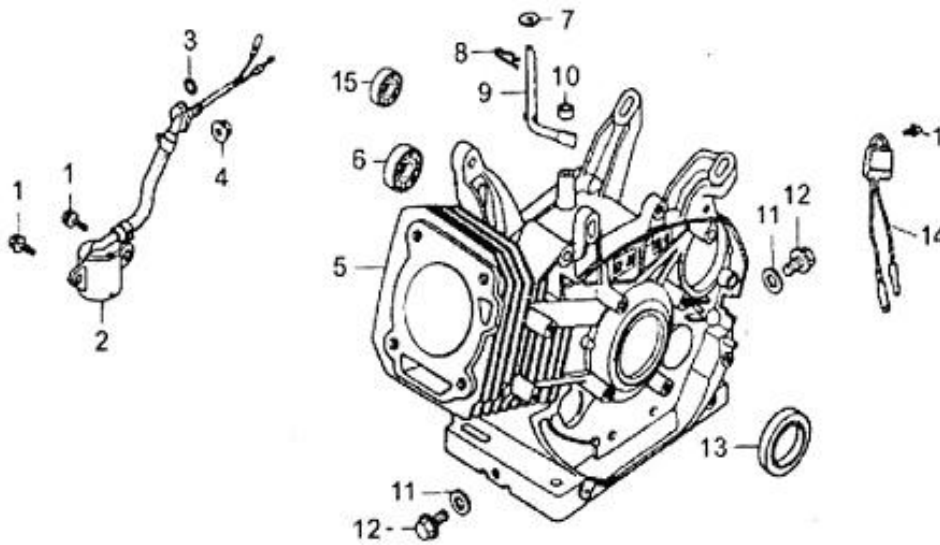
1



CYLINDER HEAD SYSTEM ASSY							
Ser. No.	DESCRIPTION	Part. No.		QTY/UNIT		REMARK	PRICE
		JF340	JF390	JF340	JF390		
1	HEAD COVER COMP. BOLT	JF340-A-01		1	1		2,29
2	HEAD COVER WASHER COMP.	JF340-A-02		1	1		1,15
3	WASHER COVER PACKING	JF340-A-03		1	1		1,15
4	HEAD COVER COMP.	JF340-A-04		1	1	ASSEMBLY	19,68
5	HEAD COVER PACKING	JF340-A-05		1	1		4,06
6	FLANGE BOLT (M10x80)	JF340-A-06		4	4		1,77
7	SPARK PLUG	JF340-A-07		1	1		9,27
8	EXHAUST PIPE STUD BOLT	JF340-A-08A		2	2		5,83
9	CYLINDER HEAD COMP.	JF340-A-09		1	1	ASSEMBLY	98,33
10	CARBURETOR STUD BOLT	JF340-A-10A		2	2		5,83
11	CYLINDER HEAD SEALING PAD	JF340-A-11	JF390-A-11	1	1		1,15
12	DOWE L PIN (φ10xφ12x20)	JF340-A-12		2	2		3,44
13	BREATHER TUBE	JF340-A-13A		1	1		8,13

Cylinder barrel

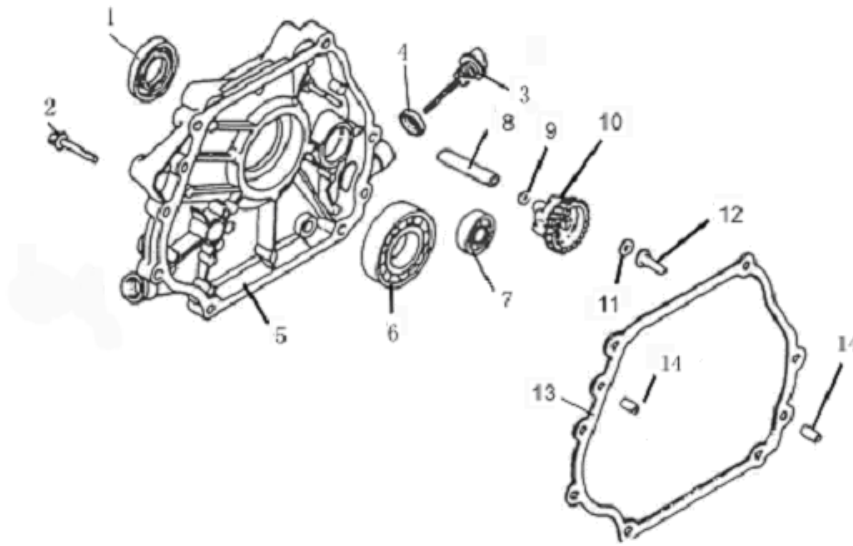
2



CYLINDER BARREL							
Ser. No.	DESCRIPTION	Part No.		QTY/UNIT		REMARK	PRICE
		JF340	JF390	JF340	JF390		
1	FLANGE BOLT (M6x14)	JF340-B-01		3	3		1,25
2	OIL LEVEL SWITCH ASSY.	JF240-B-02		1	1	ASSEMBLY	11,56
3	O-RING (14mm)	JF240-B-03		1	1		0,83
4	FLANGE NUT (10 mm)	JF340-B-02		1	1		0,83
5	CRANK CASE	JF340-B-03	JF390-B-03	1	1		185,21
6	BALL BEARING (6207)	JF340-B-04		1	1		5,21
7	WASHER (φ8.3×φ17×1)	JF340-B-05		1	1		1,15
8	LOCK PIN (10 mm)	JF340-B-06		1	1		0,63
9	GOVERNOR ARM SHAFT	JF340-B-07		1	1		3,23
10	OIL SEAL (φ8×φ14×5)	JF340-B-08		1	1		1,15
11	DRAIN PLUG WASHER (12 mm)	JF340-B-09		2	2		1,15
12	DRAIN PLUG BOLT	JF340-B-10		2	2		1,15
13	OIL SEAL (φ35×φ52×8)	JF340-B-11		1	1		8,13
14	OIL PROTECTOR	JF340-B-12		1	1		1,56
15	BALL BEARING (6202)	JF340-B-13		1	1		5,21

Crankcase cover system assy.

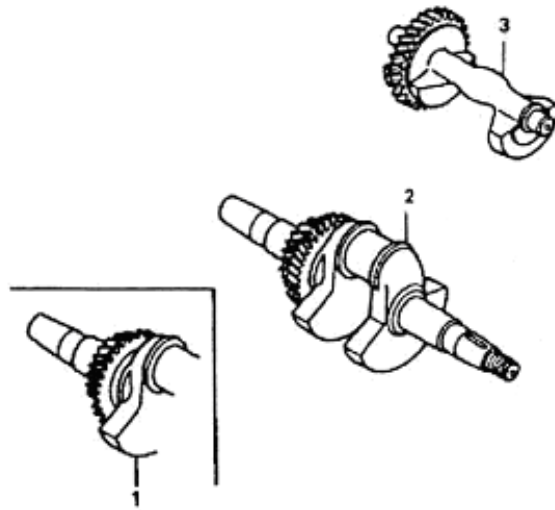
3



CRANKCASE COVER SYSTEM ASSY							
Ser. No.	DESCRIPTION	Part No.		QTY/UNIT		REMARK	PRICE
		JF340	JF390	JF340	JF390		
1	OIL SEAL (φ35×φ52×8)	JF340-B-11		1	1		8,13
2	FLANGE BOLT (M8×35)	JF340-C-01		7	7		1,15
3	OIL SCALE	JF340-C-02A		2	2		1,46
4	OIL SCALE SEAL RING	JF340-C-03		2	2		0,21
5	CRANKCASE COVER	JF340-C-04A		1	1		57,92
6	BALL BEARING (6207)	JF340-B-04		1	1		17,40
7	BALL BEARING (6202)	JF340-B-13		1	1		5,21
8	SLIDER SHAFT	JF340-C-05		1	1		8,65
9	GOVERNOR GEAR WASHER (6 mm)	JF340-C-06		1	1		1,15
10	GOVERNOR GEAR	JF340-C-07		1	1		9,38
11	SLIDER WASHER (6 mm)	JF340-C-08		1	1		0,10
12	GOVERNOR SLIDER	JF340-C-09		1	1		0,52
13	CRANKCASE COVER PAD	JF340-C-10		1	1		3,44
14	DOWEL PIN (8×12)	JF240-C-11		2	2		1,15

Crankshaft system assy.

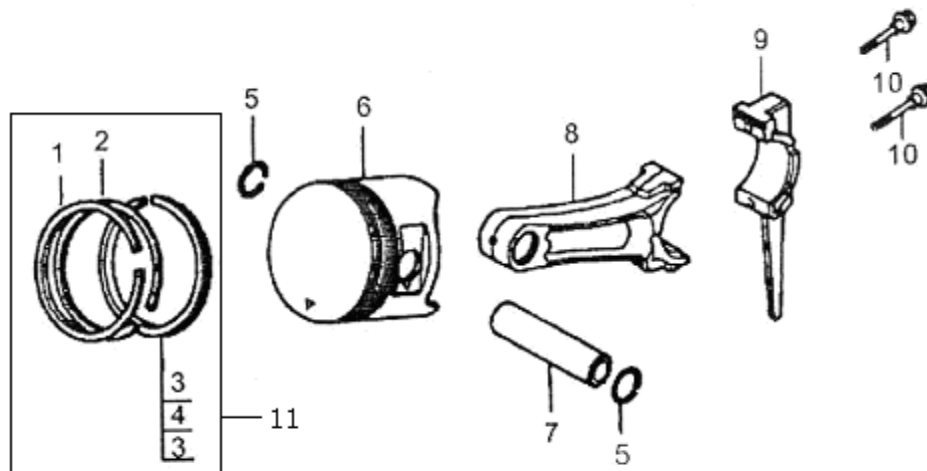
4



CRANKSHAFT SYSTEM ASSY							
Ser. No.	DESCRIPTION	Part No.		QTY/UNIT		REMARK	PRICE
		JF340	JF390	JF340	JF390		
1	CRANK	JF340-D-01		1	1		127,29
2	CRANKSHAFT COMP.	JF340-D-02		1	1	AS REQUEST	17,40
3	BALANCE SHAFT	JF340-D-03		1	1		46,25

Piston and connecting rod system assy.

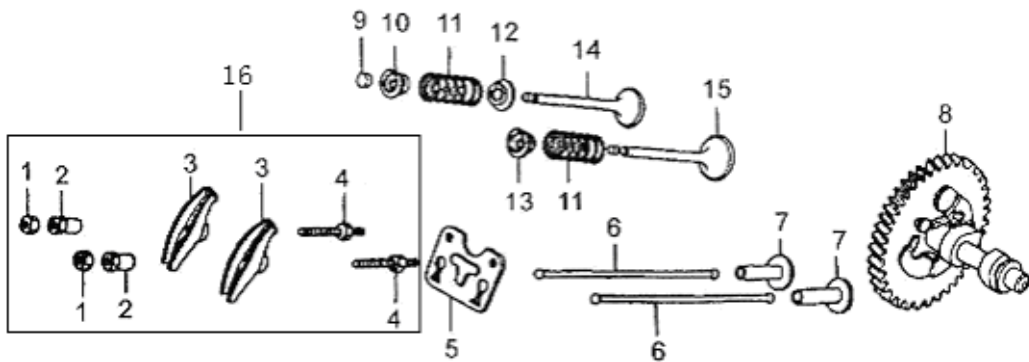
5



PISTON AND CONNECTING ROD SYSTEM ASSY							
Ser. No.	DESCRIPTION	Part No.		QTY/UNIT		REMARK	PRICE
		JF340	JF390	JF340	JF390		
1	COMPRESSION RING A	JF340-E-01	JF390-E-01	1	1		4,2
2	COMPRESSION RING B	JF340-E-02	JF390-E-02	1	1		4,2
3	OIL RING A	JF340-E-03	JF390-E-03	2	2		4,2
4	OIL RING B	JF340-E-04	JF390-E-04	1	1	4,2	20,83
5	PISTON PIN CLIP (20 mm)	JF240-E-05		2	2		1,15
6	PISTON	JF340-E-05	JF390-E-05	1	1		26,67
7	PISTON PIN	JF340-E-06	JF390-E-06	1	1		11,56
8	CONNECTING ROD	JF340-E-07		1	1		31,25
9	CONNECTING COVER	JF340-E-08		1	1		1,15
10	CONNECTING ROD BOLT	JF340-E-09		2	2		1,15
11	PISTON RING SET	JF340-E-10	JF390-E-10	1	1		20,83

Camshaft system assy.

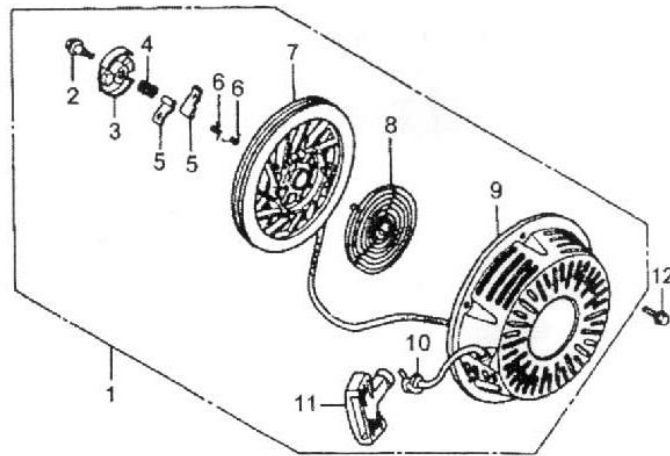
6



CAMSHAFT SYSTEM ASSY							
Ser. No.	DESCRIPTION	Part No.		QTY/UNIT		REMARK	PRICE
		JF340	JF390	JF340	JF390		
1	LOCKNUT	JF340-F-01		2	2		1,15
2	ADJUSTING NUT	JF340-F-02		2	2		1,15
3	ROCKER ARM	JF340-F-03		2	2		1,15
4	ROCKER BOLT (8 mm)	JF340-F-04		2	2		1,15
5	PUSH ROD GUIDE PLATE	JF340-F-05		1	1		8,13
6	ROD PUSH	JF240-F-06		2	2		4,06
7	CAM FOLLOWER	JF240-F-07		2	2		4,58
8	CAMSHAFT	JF270-F-08	JF390-F-08	1	1		46,25
9	EX. VALVE HELMET	JF340-F-06		1	1		2,92
10	EX. VALVE SPRING RETAINER	JF340-F-07		1	1		2,92
11	VALVE SPRING	JF340-F-08		2	2		1,15
12	VALVE SPRING SEAT	JF340-F-09		2	2		2,50
13	IN. VALVE SPRING RETAINER	JF340-F-10		1	1		2,92
14	EX. VALVE	JF340-F-11		1	1		11,56
15	IN. VALVE	JF340-F-12		1	1		11,56
16	ROCKER ASSY.	JF340-F-13		1	1	ASSEMBLY	5,83

Recoil starter system assy.

7

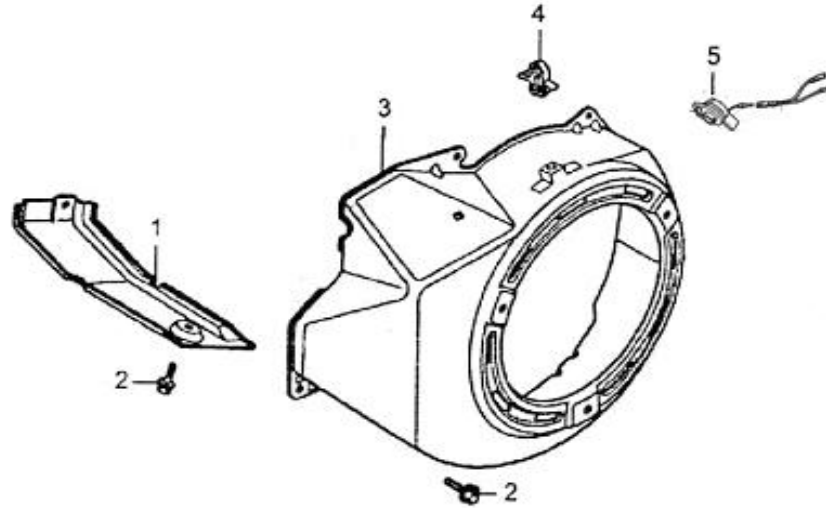


RECOIL STARTER SYSTEM ASSY

Ser. No.	DESCRIPTION	Part No.		QTY/UNIT		REMARK	PRICE
		JF340	JF390	JF340	JF390		
1	RECOIL STARTER ASSY.	JF340-G-01		1	1	ASSEMBLY	81,56
2	CENTER SCREW	JF340-G-02		1	1		0,80
3	SPRING RETAINER	JF340-G-03		1	1		4,3
4	FRICTION SPRING	JF340-G-04		1	1		0,5
5	STARTER RATCHET	JF340-G-05		2	2		3,4
6	RATCHET SPRING	JF340-G-06		2	2		2,8
7	RECOIL STARTER REEL	JF340-G-07		1	1		26,45
8	START RETURN SPRING	JF340-G-08		1	1		18,82
9	RECOIL STARTER CASE COMP.	JF340-G-09		1	1		27,34
10	RECOIL STARTER ROPE	JF340-G-10		1	1		7,2
11	STARTER GRIP	JF340-G-11		1	1		2,4
12	FLANGE BOLT (M6x8)	JF340-G-12		3	3		0,8

Fan cover system assy.

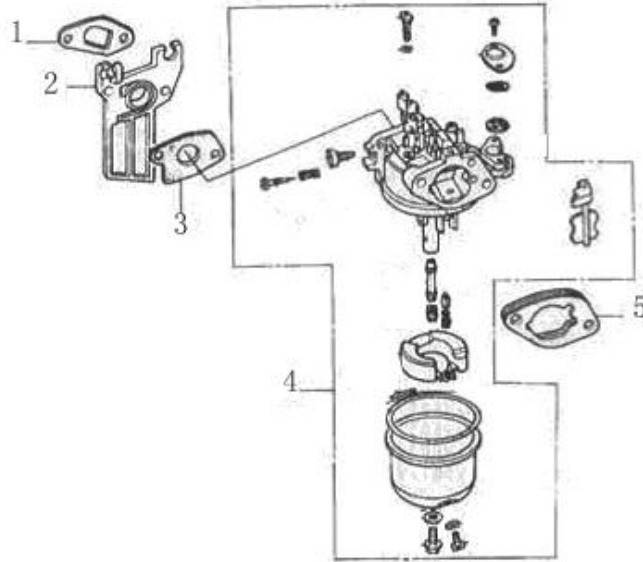
8



FAN COVER SYSTEM ASSY							
Ser. No.	DESCRIPTION	Part No.		QTY/UNIT		REMARK	PRICE
		JF340	JF390	JF340	JF390		
1	SHROUD	JF340-H-01		1	1		23,33
2	FLANGE BOLT (M6x14)	JF340-H-02		6	6		1,35
3	FAN COVER COMP.	JF340-H-03		1	1		34,82
4	CORD CLAMPER	JF340-H-04		1	1		0,6
5	ENGINE STOP SWITCH ASSY.	JF340-H-05		1	1		2,60

Carburetor system assy.

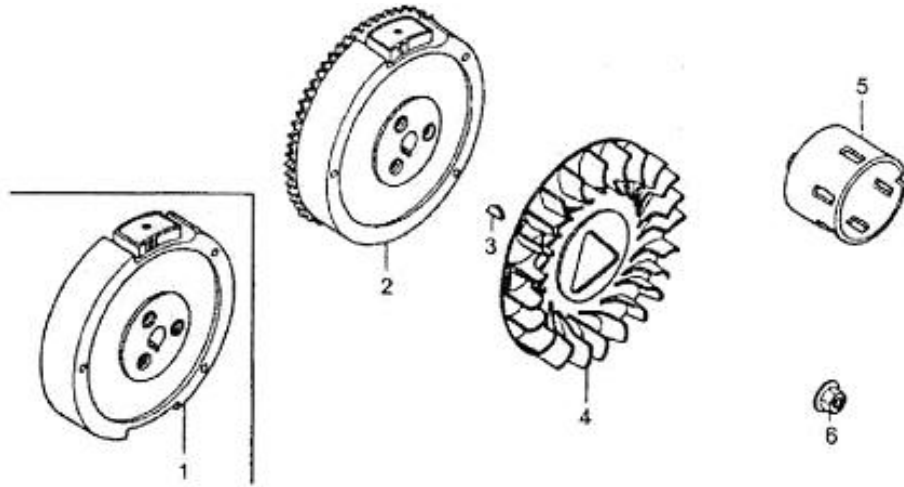
9



CARBURETOR SYSTEM ASSY							
Ser. No.	DESCRIPTION	Part No.		QTY/UNIT		REMARK	PRICE
		JF340	JF390	JF340	JF390		
1	INTAKE PIPE GASKET	JF340-I-01		1	1		1,15
2	CARBURETOR INSULATING PLATE	JF340-I-02		1	1		0,52
3	CARBURETOR PAPER GASKET	JF340-I-03		1	1		0,52
4	CARBURETOR ASSY.	JF340-I-04A	JF390-I-04A	1	1	ASSEMBLY	63,65
5	CARBURETOR IRON GASKET	JF340-I-05		1	1		2,29

Flywheel system Assy.

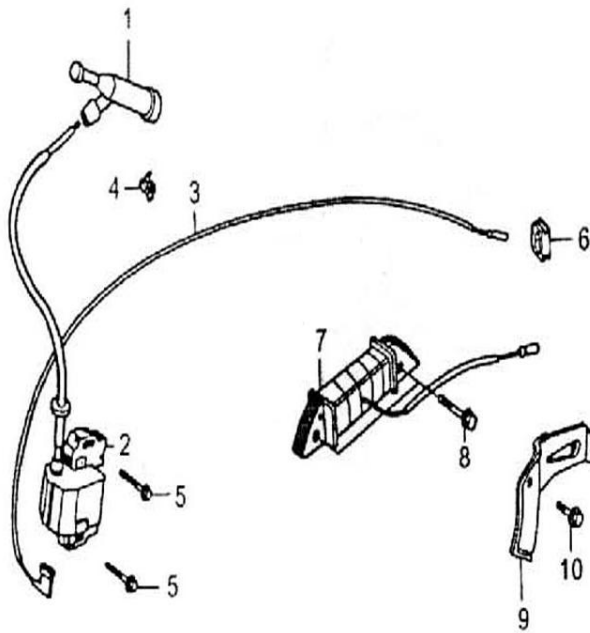
10



FLYWHEEL SYSTEM ASSY							
Ser. No.	DESCRIPTION	Part No.		QTY/UNIT		REMARK	PRICE
		JF340	JF390	JF340	JF390		
1	FLYWHEEL	JF340-J-01A		1	1		43,23
2	FLYWHEEL	JF340-J-01B		1	1	FOR ELECTRIC START	49,17
3	SPECIAL WOODRUFF KEY	JF340-J-02		1	1		0,94
4	COOLING FAN	JF340-J-03		1	1		1,15
5	STARTER PULLEY	JF340-J-04		1	1		8,23
6	FLYWHEEL NUT (M16)	JF340-J-05		1	1		4,58

Ignition System Assy.

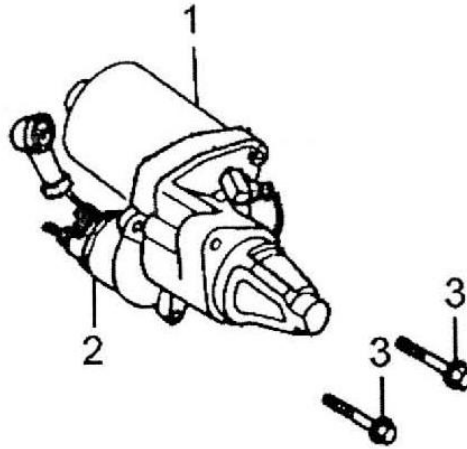
11



IGNITION SYSTEM ASSY							
Ser. No.	DESCRIPTION	Part No.		QTY/UNIT		REMARK	PRICE
		JF340	JF390	JF340	JF390		
1	PLENUM CAP	JF340-K-01		1	1		2,50
2	INGITION GOIL ASSY.	JF340-K-02		1	1		57,92
3	STOP SWITCH CORD	JF340-K-03		1	1		3,02
4	STOP SWITCH CORD HOLDER	JF340-K-04		1	1		1,56
5	FLANGE BOLT (M6x25)	JF340-K-05		2	2		1,77
6	CORD GROMMENT	JF340-K-06		1	1		0,94
7	CHARGE COIL ASSY.	JF340-K-07		1	1	FOR ELECTRIC START	40,63
8	FLANGE BOLT (M6x40)	JF340-K-08		2	2		2,29
9	CORD CLAMPER	JF340-K-09		1	1		1,35
10	FLANGE BOLT (M6x20)	JF340-K-10		1	1		1,56

Starter motor System assy.

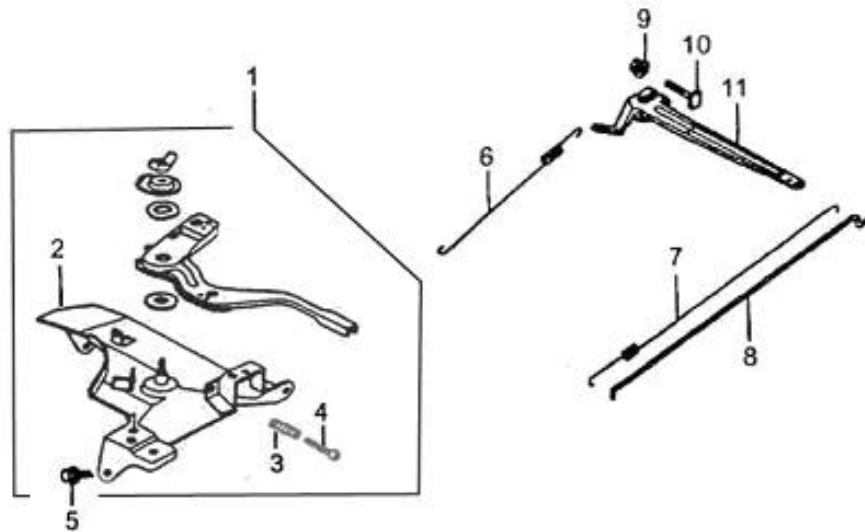
12



STARTER MOTOR SYSTEM ASSY							
Ser. No.	DESCRIPTION	Part No.		QTY/UNIT		REMARK	PRICE
		JF340	JF390	JF340	JF390		
1	UNIT STARTER MOTOR	JF340-L-01		1	1	FOR ELECTRIC START	151,4
2	CONTACTOR ASSY.	JF340-L-02		1	1		
3	FLANGE BOLT (M8x35)	JF340-L-03		2	2		

Control System Assy.

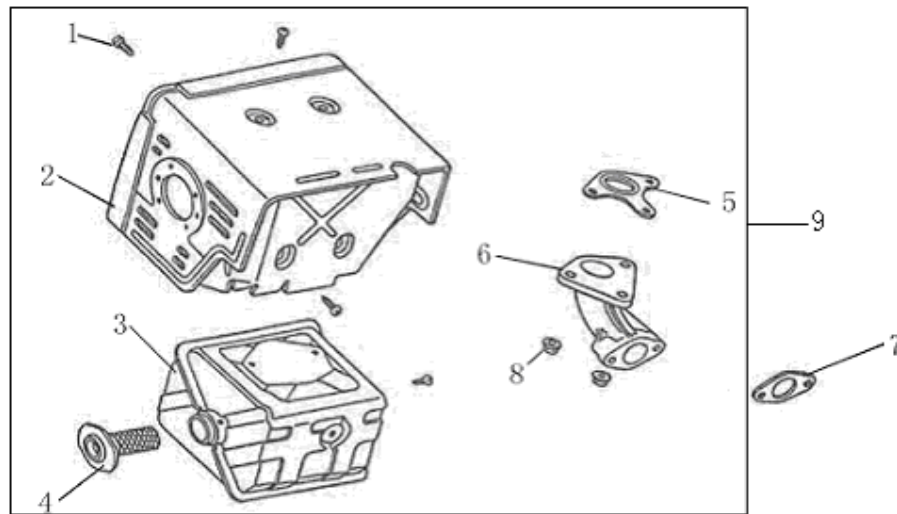
13



CONTROL SYSTEM ASSY							
Ser. No.	DESCRIPTION	Part No.		QTY/UNIT		REMARK	PRICE
		JF340	JF390	JF340	JF390		
1	CONTROL ASSY.	JF340-M-01A		1	1		17,40
2	CONTROL BASE COMP.	JF340-M-02A		1	1		15,63
3	CONTROL ADJUSTING SPRING	JF340-M-03		1	1		0,94
4	CROSS POND SCREW (M5x34)	JF340-M-04		1	1		0,94
5	FLANGE BOLT (M6x14)	JF340-M-05		1	1		1,46
6	GOVERNOR SPRING	JF340-M-06		1	1		1,15
7	THROTTLE RETURN SPRING	JF340-M-07		1	1		1,15
8	GOVERNOR ROD	JF340-M-08		1	1		1,15
9	FLANGE NUT (M6)	JF340-M-09		1	1		2,27
10	GOVERNOR ARM BOLT (M6)	JF340-M-10		1	1		0,9
11	CONTROL ARM	JF340-M-11		1	1		7,27

Muffler System Assy.

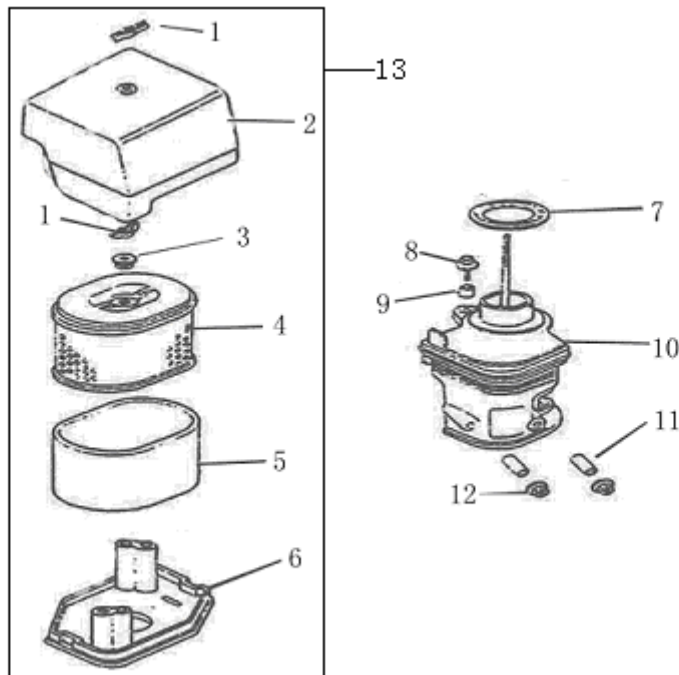
14



MUFFLER SYSTEM ASSY							
Ser. No.	DESCRIPTION	Part No.		QTY/UNIT		REMARK	PRICE
		JF340	JF390	JF340	JF390		
1	TAPPING SCREW (M5x8)	JF340-N-01		4	4	Q235A	0,5
2	MUFFLER PROTECTOR COMP.	JF340-N-02		1	1		32,14
3	MUFFLER COMP.	JF340-N-03		1	1		29,56
4	SPARK ARRESTER (SILENT)	JF340-N-04		1	1		4,6
5	EX. PIPE GASKET	JF340-N-05		1	1		1,17
6	EX. PIPE COMP.	JF340-N-06		1	1		5,4
7	MUFFLER GASKET	JF340-N-07		1	1		1,15
8	FLANGE NUT (M8)	JF340-N-08		2	2		0,42
9	MUFFLER ASSY.	JF240-N-09		1	1	ASSEMBLY	61,35

Air cleaner

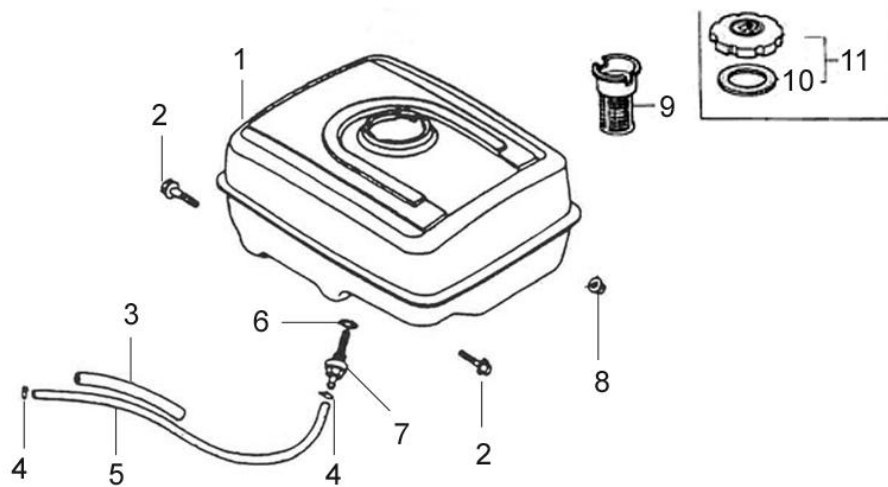
15



AIR CLEANER							
Ser. No.	DESCRIPTION	Part No.		QTY/UNIT		REMARK	PRICE
		JF340	JF390	JF340	JF390		
1	AIR CLEANER COVER NUT	JF340-O-01		2	2		1,98
2	AIR CLEANER COVER	JF340-O-02		1	1		18,45
3	AIR CLEANER GROMMER	JF340-O-03		1	1		2,56
4	AIR CLEANER ELEMENT	JF340-O-04		1	1		5,21
5	OUTER FILTER	JF340-O-05		1	1		2,40
6	SILENCER NOSE	JF340-O-06		1	1		1,04
7	ELBOW PACKING	JF340-O-07		1	1		1,56
8	FLANGE BOLT (M6x20)	JF340-O-08		1	1		1,46
9	AIR CLEANER COLLAR	JF340-O-09		1	1		0,83
10	AIR CLEANER ELBOW COMP.	JF340-O-10		1	1		15,63
11	AIR CLEANER COLLAR	JF340-O-11		1	1		0,52
12	FLANGE NUT (M8)	JF340-O-12		2	2		0,42
13	AIR CLEANER ASSY.	JF340-O-13		1	1	ASSEMBLY	33,54

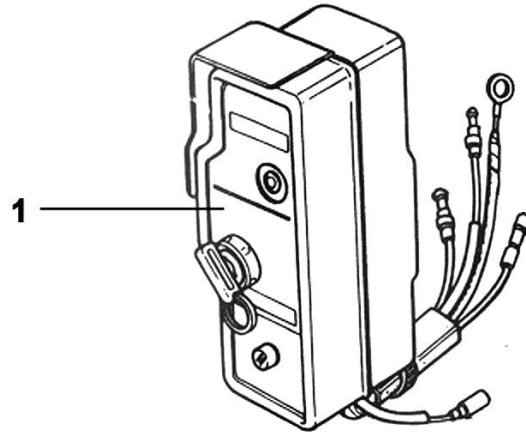
Fuel tank system assy.

16



FUEL TANK SYSTEM ASSY							
Ser. No.	DESCRIPTION	Part No.		QTY/UNIT		REMARK	PRICE
		JF340	JF390	JF340	JF390		
1	FUEL TANK ASSY.	JF340-P-01		1	1		63,65
2	FLANGE BOLT (M8x25)	JF340-P-02		1	2		2,19
3	SUPPORTER RUBBER	JF340-P-03		1	1		2,29
4	TUBE CLIP	JF340-P-04		2	2		0,10
5	FUEL TUBE	JF340-P-05		1	1		1,15
6	O-RING (14mm)	JF340-P-06		1	1		0,94
7	FUEL TANK JOINT	JF340-P-07		1	1		3,5
8	FLANGE NUT (M6)	JF340-P-08		1	1		0,31
9	FUEL FILTER	JF340-P-09		1	1		1,46
10	FUEL FILLER CAP PACKING	JF168-N-11		1	1		1,34
11	FUEL FILLER CAP COMP.	JF340-P-10		1	1		4,58

Control box assy.



CONTROL BOX ASSY							
Ser. No.	DESCRIPTION	Part No.		QTY/UNIT		REMARK	PRICE
		JF340	JF390	JF340	JF390		
1	CONTROL BOX ASSY.	JF390-Q-01		1	1		45,34